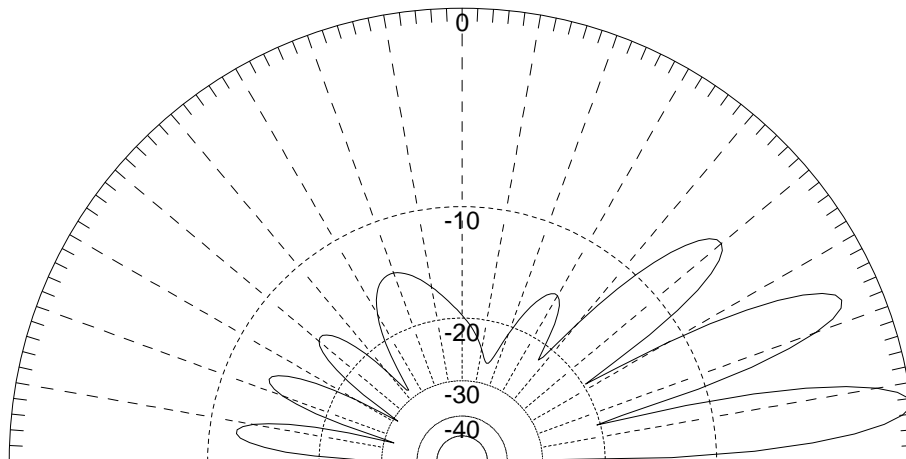
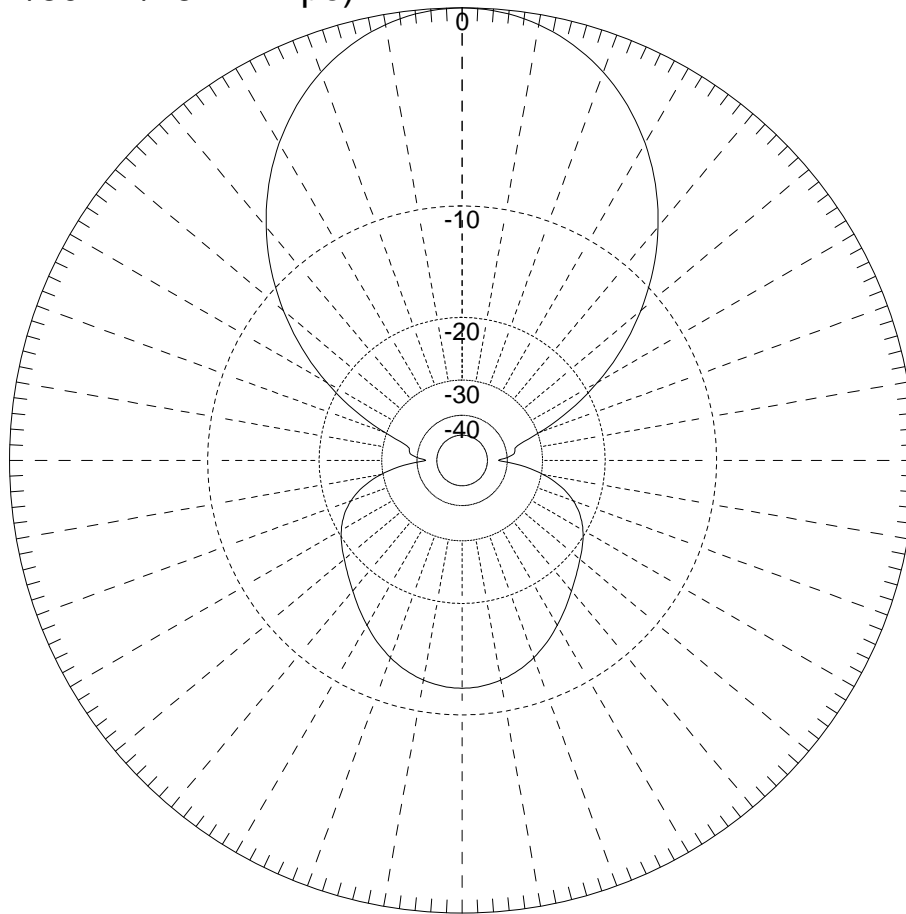


MMANA-GAL basic v. 3.0.0.31

5ele 20m (35mm/30mm/25mm Pipe)



Ga : 15.21 dBi = 0 dB (Horizontal polarization)  
F/B: 11.91 dB; Rear: Azim. 120 deg, Elev. 30 deg  
Freq: 28.200 MHz  
Z: 51.856 - j16.176 Ohm  
SWR: 1.4 (50.0 Ohm),  
Elev: 7.4 deg (Real GND :20.00 m height)